

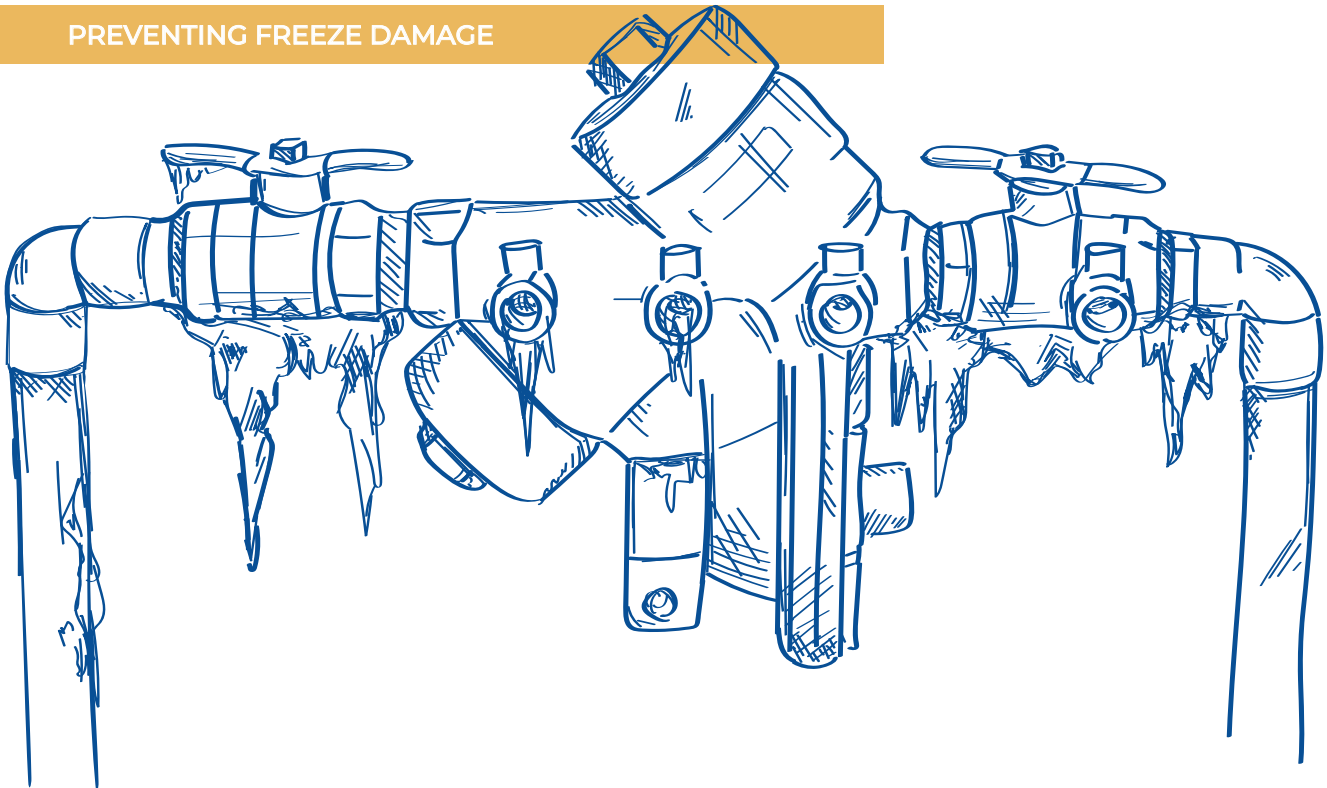


IRRIGATION BLOWOUT: WHAT YOU NEED TO KNOW

WHAT YOU NEED TO KNOW

It's crucial to protect your irrigation system from freezing temperatures. When temperatures fall below 28° F, the backflow preventer can crack, leading to expensive repairs. To prevent this, proper winterization is essential.

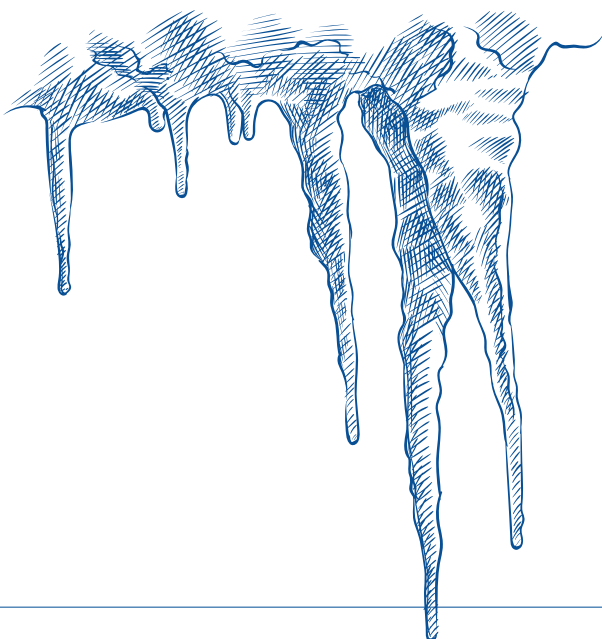
PREVENTING FREEZE DAMAGE



One of the first things you should do is protect your backflow preventer from freezing. This can be accomplished by covering it with:

- A specialized backflow cover
- A wool blanket
- Garbage bags

These will help insulate the backflow and prevent cracks caused by freezing temperatures.



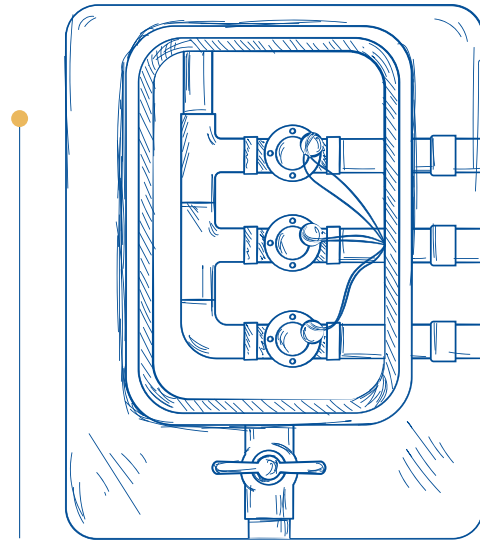
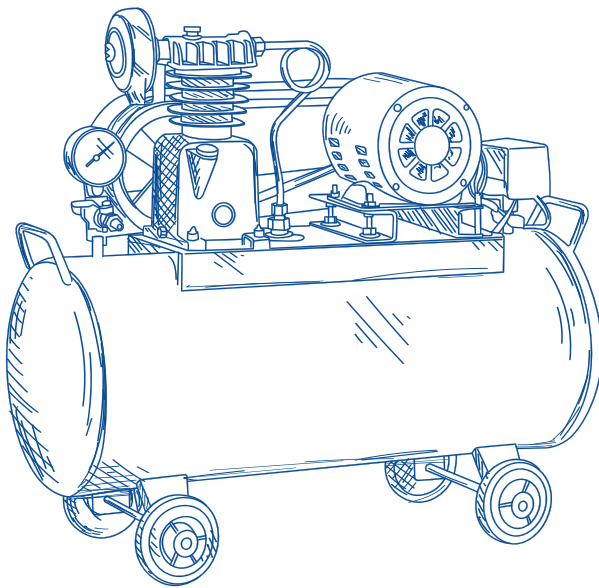
EQUIPMENT AND KNOWLEDGE YOU NEED

Have a plan and the right tools if you are doing your own irrigation blowout.

HERE'S WHAT YOU WILL NEED

AIR COMPRESSOR

This is the key tool for blowing out your irrigation system, as it forces out any leftover water in the pipes to prevent freeze damage. Ensure your air compressor has a capacity of at least 50 cubic feet per minute (CFM).



ACCESS TO KEY AREAS

Irrigation Clock (Controller):

- You'll need to turn off the automatic watering system and manually activate each zone during the blowout.

Main Shutoff Valve:

- Before starting, make sure to turn off the water supply to the irrigation system.

Valve Boxes:

- These contain the valves for each zone, which you'll need to open to release any remaining water.

IMPORTANT REMINDERS

- Always ensure your water supply is completely shut off before starting the blowout process.
- Proceed zone by zone to avoid over-pressurizing the system.
- Use a professional if you are unsure or uncomfortable handling the equipment or process.

Need more help? Check out this step by step guide to winterizing your irrigation backflow preventer from Detailed Landscape founder and owner, Clint Lucas.