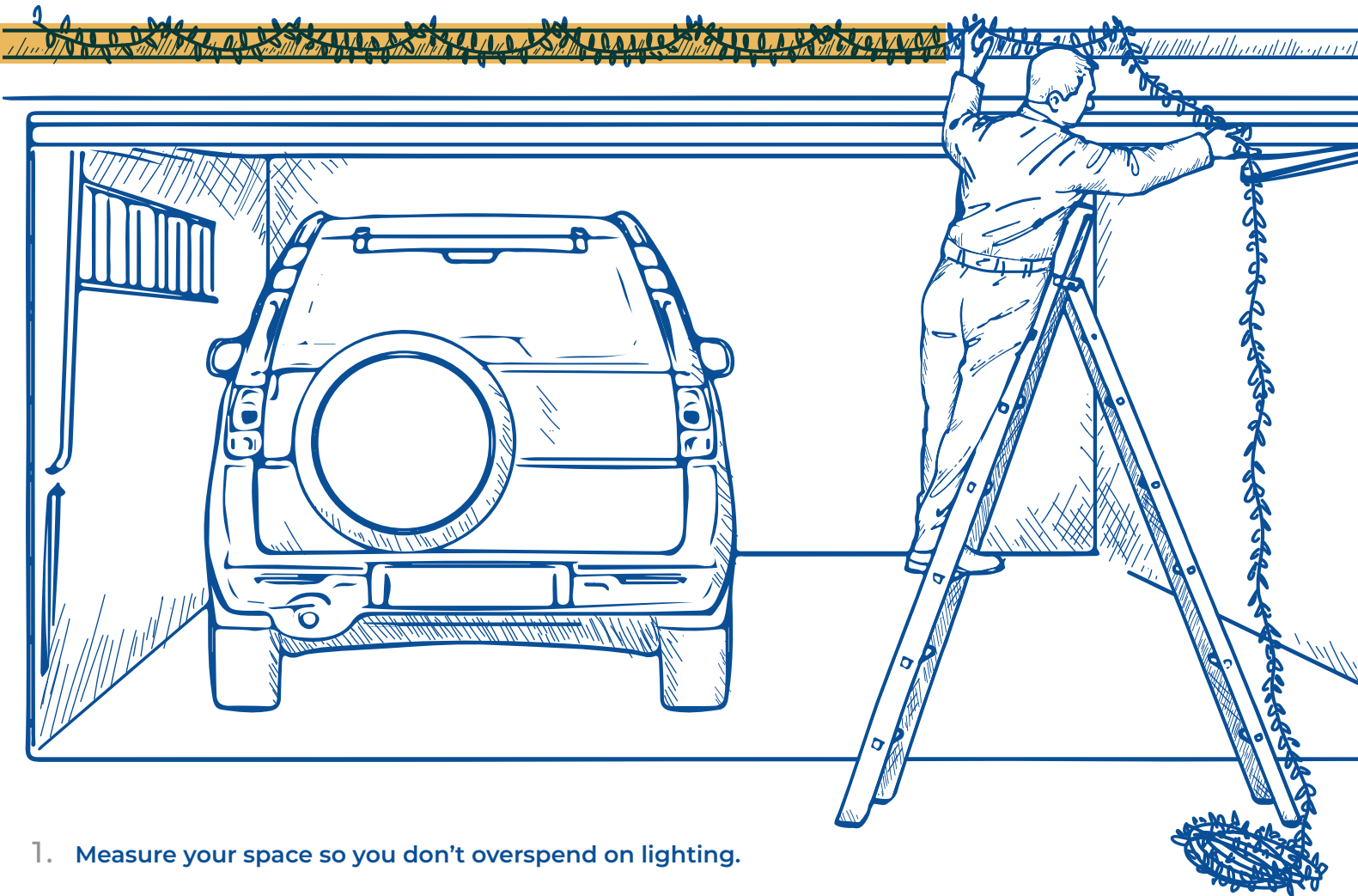


MAKE A PLAN

When it comes to buying and installing holiday lights, the sky's the limit. But if this yearly ritual has become more stressful than cheerful, check out these tips from our experts on how to hang lights like a pro.



1. Measure your space so you don't overspend on lighting.
2. Decide if you want to use color.
3. Decide what type of lights you want to use: string lights are the most commonly used lights, but there might be other options that work better for the look you're trying to achieve.
4. Choose light clips that fit your application.
5. Pay attention to connection limits on your strands and don't connect more than recommended.
6. Test your lights before installation. Replace any blown bulbs and check that light patterns work.